



Installing your LeakBot

Help & Guidance



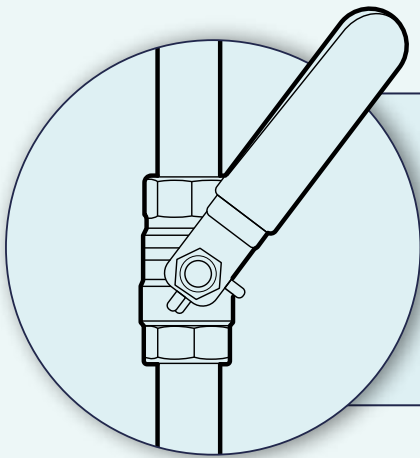
Locating the correct pipe

Step 1

1 LeakBot needs to be clipped directly on your home's internal main water supply line that supplies all the fresh cold water to the property. This is the same pipe that your internal shut off valve is always found on.

2 Your internal main water supply line will usually be located on the ground floor in one of the following locations:

- a basement
- a garage
- a utility room



Example of a typical internal shut off valve, although the appearance may vary slightly. If this shut off valve turns all the fresh cold water off inside your home you have located your internal main water supply line.

If you have any questions or need help please visit leakbot.io/support or email us at help.us@leakbotsupport.com

Placing LeakBot on the pipe

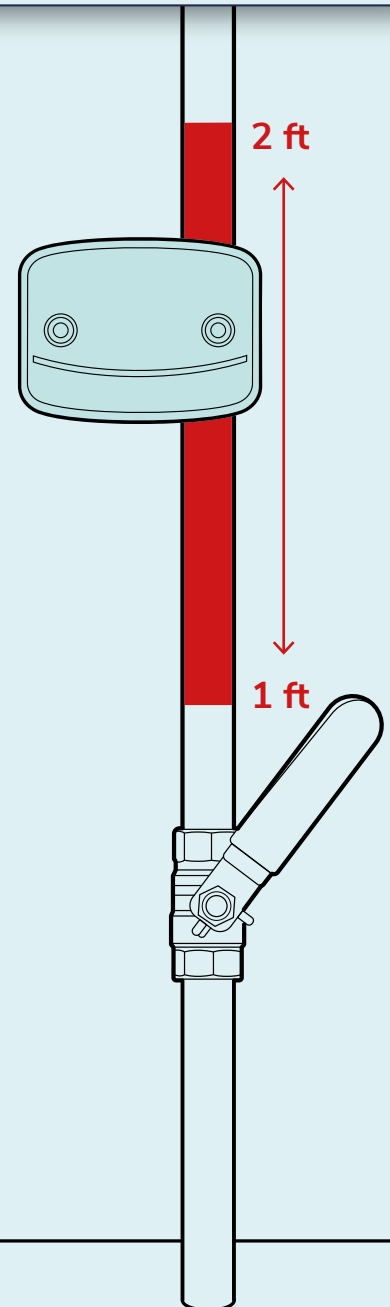
Step 2

Public Water Supply

Once you have located your internal main water supply line, you will need to install LeakBot between 1 to 2 feet along the pipe from the point it enters the property and before the pipe branches off around the home.

Please note: If the internal main water supply line is made from lead, LeakBot will need to be installed between 1.5 to 2 feet along the pipe from the point it enters the property and before the pipe branches off around the home.

Clip LeakBot to the internal main water supply line between 1 to 2 feet from the point the pipe enters the property.



If you have any questions or need help please visit leakbot.io/support or email us at help.us@leakbotsupport.com

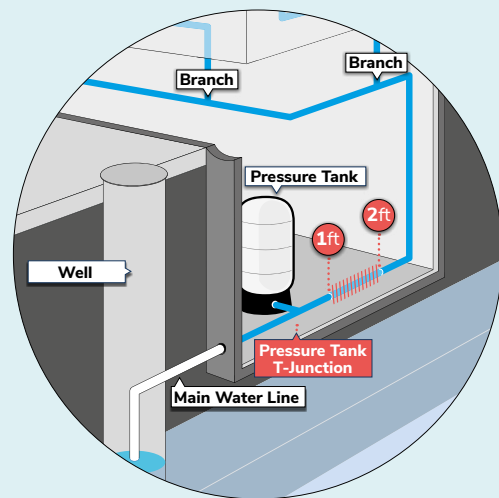
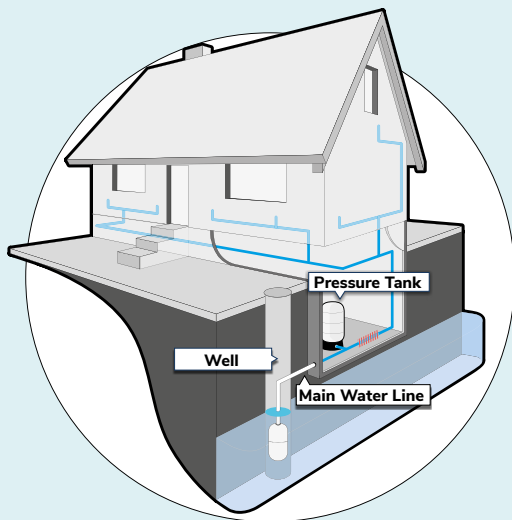
Placing LeakBot on the pipe

Step 2

Welled Water Supply

Once you have located your internal main water supply line, you will need to install LeakBot between 1 to 2 feet after the T-junction to the pressure tank and before the pipe branches off around the home.

1. Locate your pressure tank
2. Clip LeakBot to the main water line, between 1 to 2 feet after the T-junction to the pressure tank, and before any supply line branches off around the home.



— Indoor Mains Water Line
- - - - - Clip LeakBot here

If you have any questions or need help please visit leakbot.io/support or email us at help.us@leakbotsupport.com

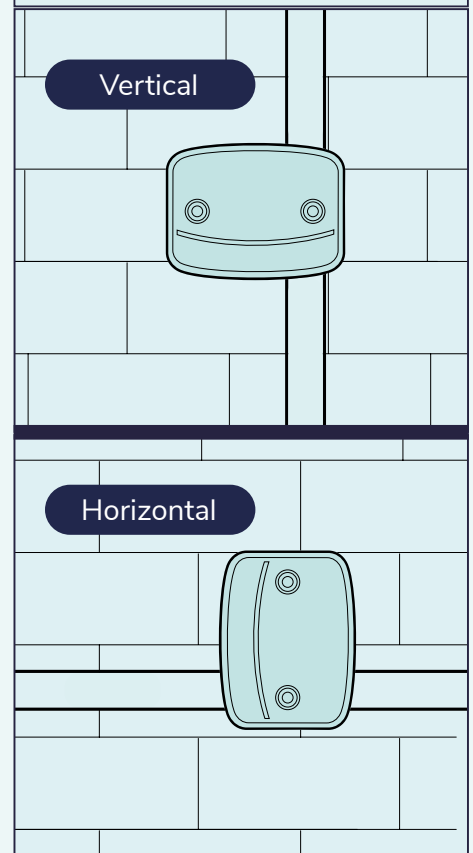
Positioning LeakBot correctly

Step 3

Once you have clipped LeakBot to the pipe, it's important it is facing the right way.

- LeakBot can be placed horizontally or vertically.
- Wherever possible LeakBot should be installed with its clip, (the rear of the device) facing towards the outer wall of your property.
- If installed on a horizontal pipe, LeakBot ideally needs to be twisted around so that it sits above the pipe.

LeakBot can be positioned horizontally or vertically. If placed horizontally try to position above the pipe as shown.



If you have any questions or need help please visit leakbot.io/support or email us at help.us@leakbotsupport.com

Useful information

Pipe size

- LeakBot is designed to fit all standard pipework sizes - 3/4 inch and 1 inch diameter pipes.
- The clip can not be adjusted or removed to fit larger pipe sizes.

Pipe material

LeakBot can be fitted on all types of pipe material including copper, plastic, lead and stainless steel.

Insulated pipes below LeakBot

If there is any pipe insulation below where the LeakBot is installed it should be removed as this impacts LeakBot's ability to work effectively.

Limited or no access to pipework

In certain scenarios access to pipework can be limited. It could be hidden behind a wall or boxed in. In these situations the only way to install LeakBot correctly would be to create sufficient access that allows LeakBot to be clipped to the pipework.

If you have any questions or need help please visit leakbot.io/support or email us at help.us@leakbotsupport.com